

Refraction unit Agatha



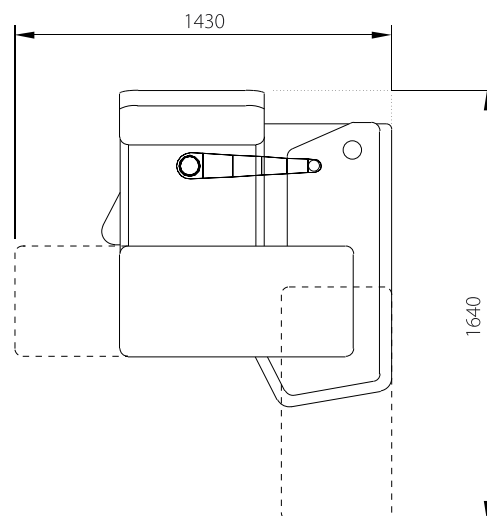
Refraction unit

Med
instrus

Refraction unit AGATHA

Optional

- Phoropter arm
- Chin rest for slit lamp / ophthalmometer
- Foot rest for the chair
- Foot switch control for up / down movement of the chair
- Left handed version
- ~110V power supply



Refraction Unit AGATHA

- The vertical movement of the chair is adjustable from operational panel on the console and / or from the foot-switch (optional)
- Sliding tabletop for two instruments
- Column with halogen overhead lamp with adjustable illumination
- Column with support for chart projector
- Integrated adjustable power transformer for slit lamp / ophthalmometer
- 230V socket for additional instrument (e.g. auto lensmeter, auto phoropter, etc.)

Technical information

Voltage	~230V 50 / 60Hz
Total weight	180 kg
Max height	180 cm
Table height from the ground	86 cm
Overhead halogen lamp	20W 230V
Adjustable voltage supply for slit lamp	6V and 12V
Chair vertical movement	15 cm
Chair rotation	360°
Chair height from the ground	52 cm



UAB "Medinstrus"
Respublikos 20, LT - 89224 Mažeikiai,
Lietuva (Lithuania).

Tel: +370 443 25451
Fax: +370 443 25455
E-mail: info@medinstrus.lt
Web: www.medinstrus.lt

